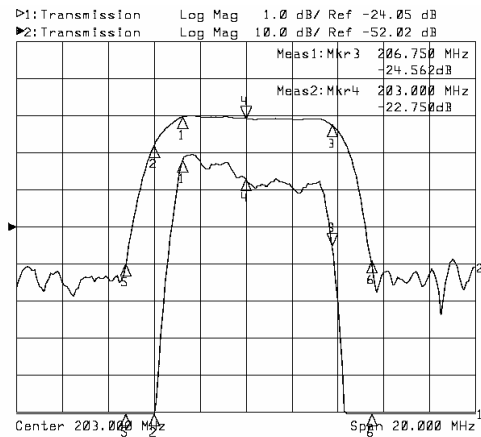
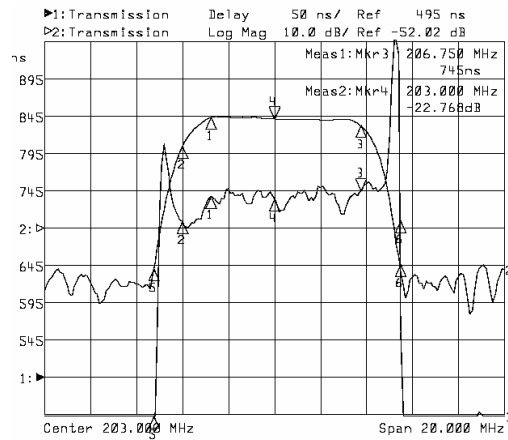


203.5MHz Standard Filter
Part Number 204070

Typical Performance



Horizontal: 2MHz/Div
 Vertical: 10dB/Div

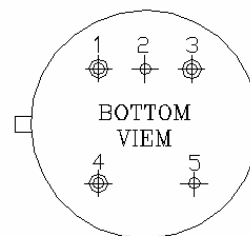
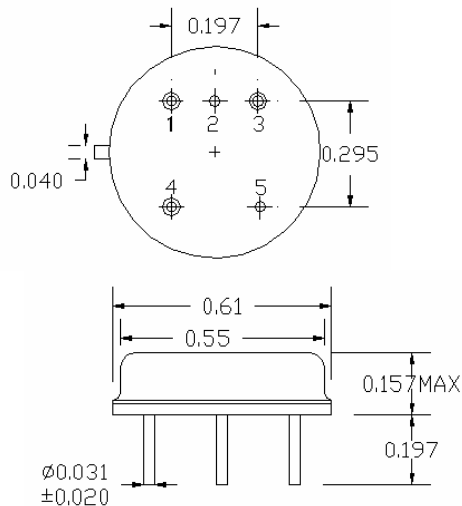


Horizontal: 2MHz/Div
 Vertical: 50nsec/Div

Specifications

Parameter	Unit	Minimum	Typical	Maximum
Center Frequency	MHz	203.40	203.50	203.60
Insertion Loss	dB		23.01	23.50
200.25MHz	dB		-0.50	-1.00
206.75MHz	dB		-1.51	-2.51
199.00MHz	dB		-9.01	-10.05
Passband Variation	dB		1.20	1.40
Group Delay Variation	nsec		60	80
Absolute Delay	usec		0.70	0.71
Ultimate Rejection	dB	38	40	
Substrate Material	-		LiTaO3	
Ambient Temperature	°C	-40	25	80

Package SFA02



SFA02
 IN: 4
 OUT: 3
 GND: 1,2,5