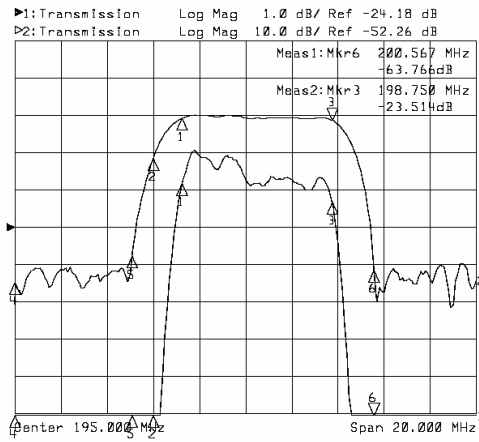


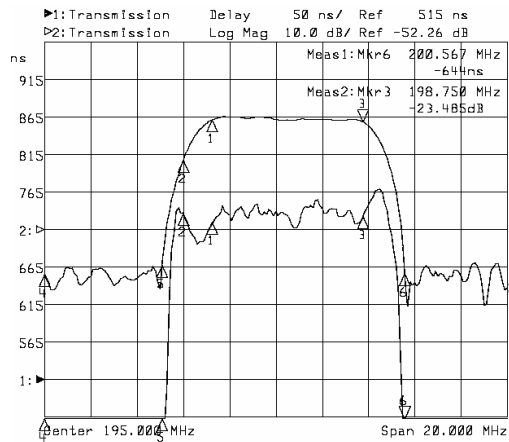
195.5MHz Standard Filter

Part Number 196070

Typical Performance



Horizontal: 2.0MHz/Div
Vertical: 10dB/Div



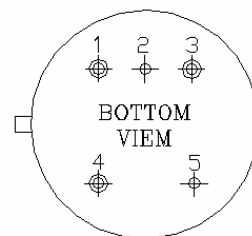
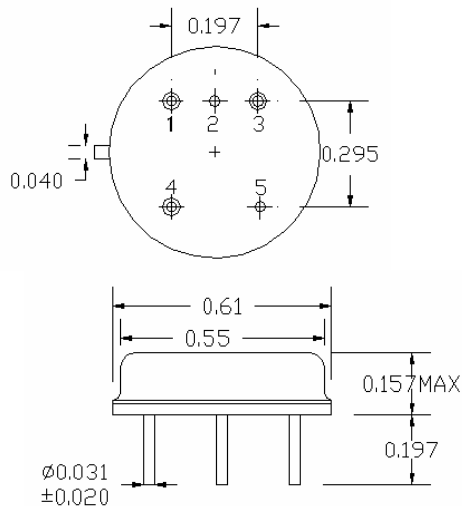
Horizontal: 2.0MHz/Div
Vertical: 50nsec/Div

Specifications

Parameter	Unit	Minimum	Typical	Maximum
Center Frequency	MHz	195.40	195.50	195.60
Insertion Loss	dB		23.00	23.51
192.25MHz	dB		-0.50	-1.00
198.75MHz	dB		-1.00	-1.50
191.00MHz	dB		-12.00	-14.00
Passband Variation	dB		1.20	1.40
Group Delay Variation	nsec		60	80
Absolute Delay	usec		0.70	0.72
Ultimate Rejection	dB	38	40	
Substrate Material	-		LiTaO3	
Ambient Temperature	°C	-40	25	80

Package

SFA02



SFA02
IN: 4
OUT: 3
GND: 1,2,5