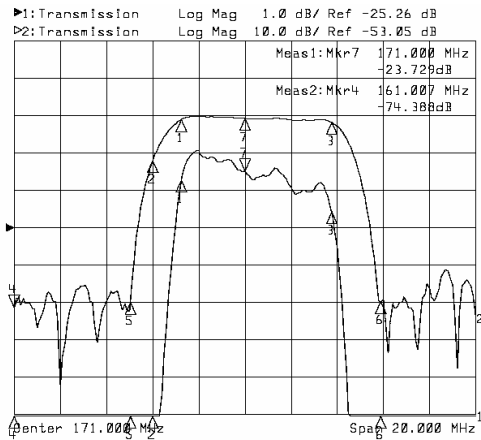
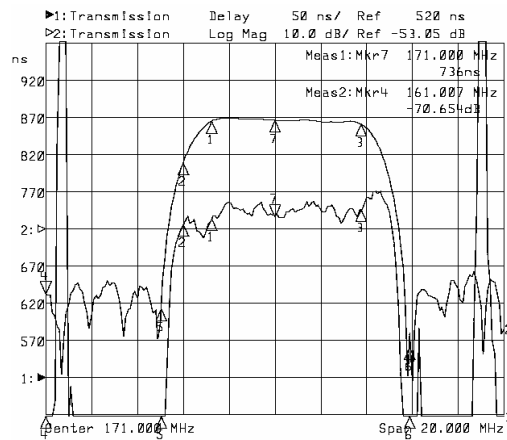


**171.5MHz Standard Filter**  
**Part Number 172070**

**Typical Performance**



Horizontal: 2.0MHz/Div  
 Vertical: 10dB/Div

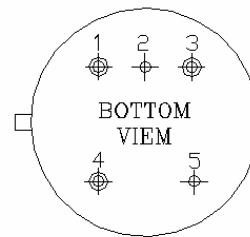
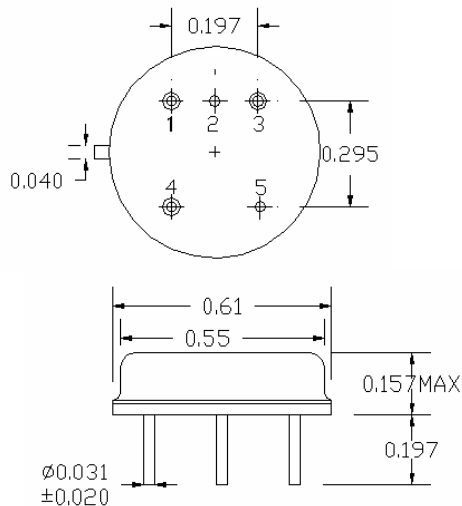


Horizontal: 2.0MHz/Div  
 Vertical: 50nsec/Div

**Specifications**

Parameter	Unit	Minimum	Typical	Maximum
Center Frequency	MHz	171.40	171.50	171.60
Insertion Loss	dB		24.00	24.65
168.25MHz	dB		-0.51	-1.00
174.75MHz	dB		-1.22	-1.81
167.00MHz	dB		-12.00	-15.00
Passband Variation	dB		1.20	1.40
Group Delay Variation	nsec		60	80
Absolute Delay	usec		0.70	0.71
Ultimate Rejection	dB	38	40	
Substrate Material	-		LiTaO3	
Ambient Temperature	°C	-40	25	80

**Package SFA02**



**SFA02**  
 IN: 4  
 OUT: 3  
 GND: 1,2,5