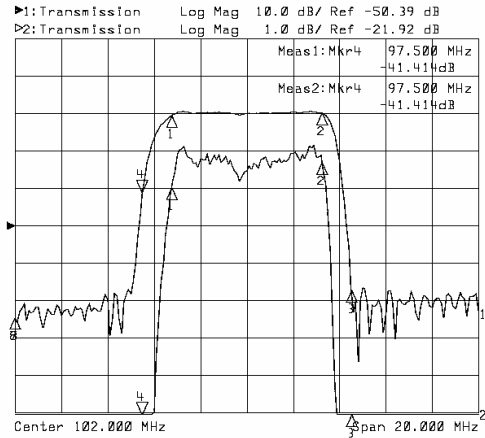
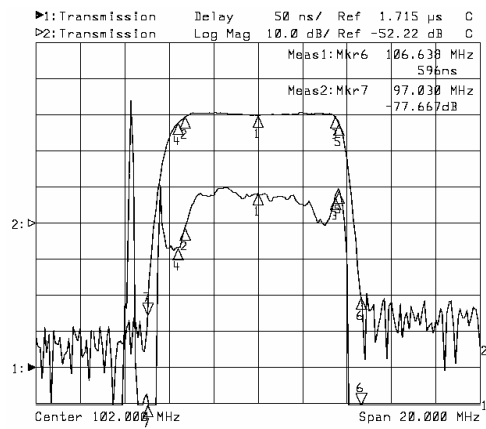


**102MHz CATV Filter**  
**Part Number F102065**

**Typical Performance**



Horizontal: 2MHz/Div  
 Vertical: 10dB/Div

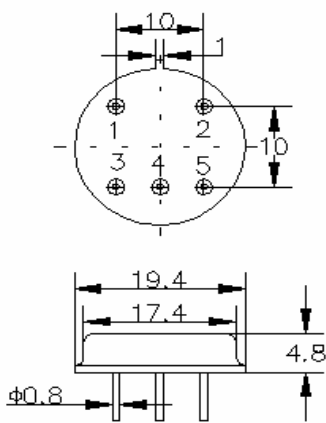


Horizontal: 2MHz/Div  
 Vertical: 50nsec/Div

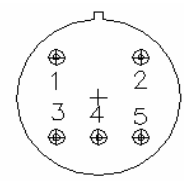
**Specifications**

Parameter	Unit	Minimum	Typical	Maximum
Center Frequency	MHz		102.0	
Insertion Loss at F <sub>0</sub>	dB		20.5	
@98.75MHz	dB		-1.0	
@105.25MHz	dB		-0.5	-1.0
@97.5MHz	dB		-20	
@106.5MHz	dB		-40	-50
Passband Variation	dB		0.9	
Group Delay Variation	nsec		50	
Absolute Delay	usec		1.50	
Ultimate Rejection	dB		50	
Substrate Material	-		YZ-LiNbO3	
Ambient Temperature	°C		25	

**Package TO-10**



Dimensions in mm



BOTTOM VIEW  
 IN:5 OUT:3  
 GND: 1 2 4