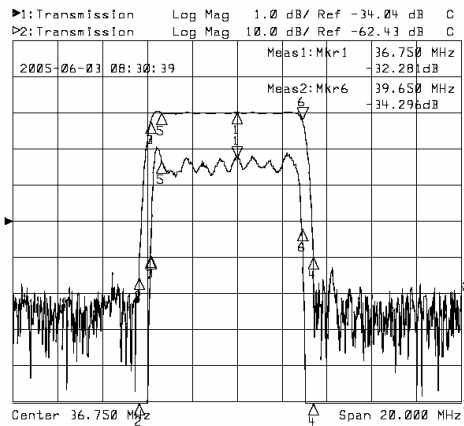
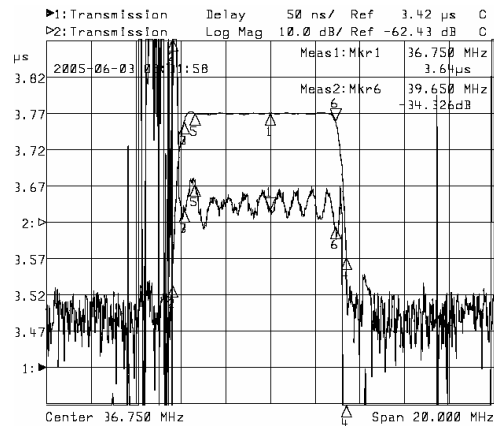


**36.75 MHz CATV Filter (PAL DK)
Part Number D765R**

Typical Performance



Horizontal: 2MHz/Div
Vertical: 10dB/Div

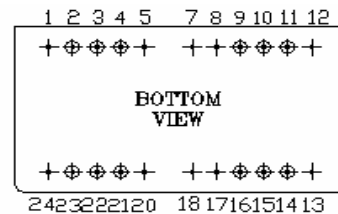
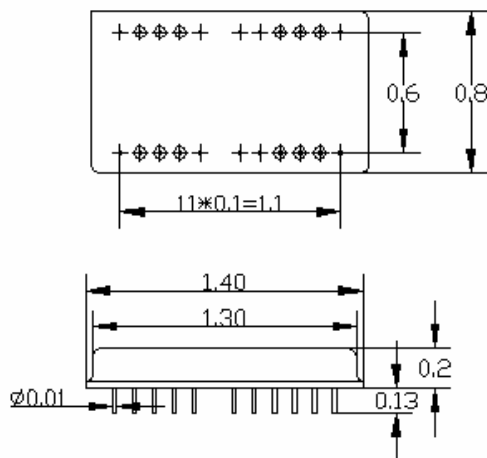


Horizontal: 2MHz/Div
Vertical: 50nsec/Div

Specifications

Parameter	Unit	Minimum	Typical	Maximum
Center Frequency	MHz		36.75	
Insertion Loss at F ₀	dB		32.0	32.5
@32.40MHz	dB	-40	-45	
@39.65MHz	dB		-2.0	-3.0
@40.15MHz	dB		-40	-43
@32.90MHz	dB		-3.0	-4.0
Passband Variation	dB		0.6	0.8
Group Delay Variation	nsec		50	60
Absolute Delay	usec		3.58	
Ultimate Rejection	dB	42	45	
Substrate Material	-		YZ-LiNbO3	
Ambient Temperature	°C		25	

Package XR



- 2 INPUT-GROUND
- 3 INPUT
- 14 OUTPUT-GROUND
- 15 OUTPUT
- 4,9,10,11,16,21,22,23 NOT CONNECTED
- 1,5,7,8,12,13,17,18,20,24 CHIP CARRIER-GROUND

NO Matching Required
Source/load Impedance=50ohm
Package Style XR