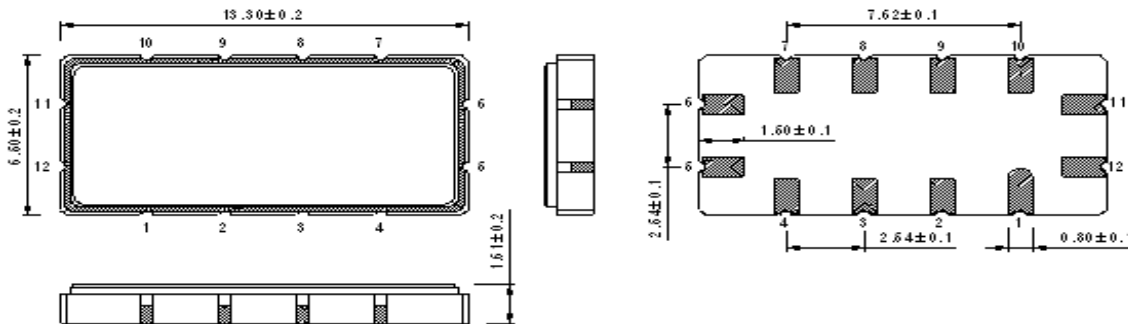


1. Part Number: 070014SMD

2. Electrical Specifications

Parameter	Unit	Minimum	Typical	Maximum
Center Frequency	MHz	69.9	70.0	70.1
Insertion Loss at F ₀	dB		3.5	4.5
1 dB Bandwidth	MHz		0.8	
3 dB Bandwidth	MHz	1.45	1.5	
40dB Bandwidth	MHz		3.5	4.0
Pass band Variation	MHz		0.5	0.6
Group Delay Variation	nsec		100	
Absolute Delay	dB			
Ultimate Rejection	dB		40	
Substrate Material	-		128LiNbO3	
Ambient Temperature	°C		25	

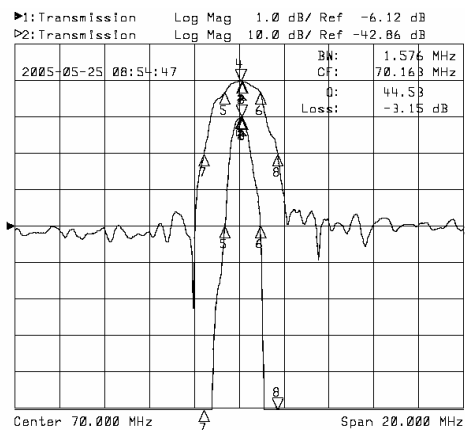
3. Mechanical Package (mm)



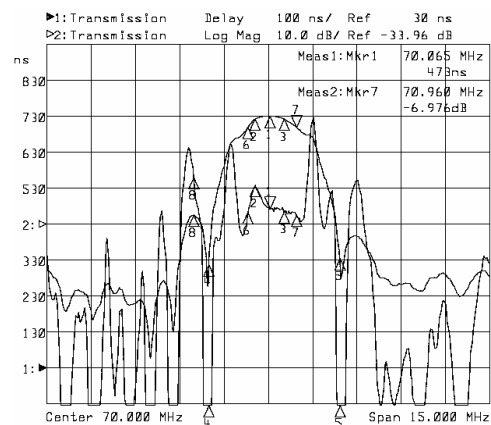
Dimensions shown are nominal in millimeters
 Body : Al₂O₃ Ceramic
 Lid: Kovar, Ni Plated
 Terminations: Au plating 0.3 ~ 1.0 um, Over a 1.27 ~ 8.89 um Ni Plating

Pad Configuration	
11	Input
5	Output
6, 12	Ground
Other	Case ground

4. Plots



Horizontal: 1.5MHz/Div; Vertical: 1db & 10db/Div



Horizontal: 1.5MHz/Div; Vertical: 1db & 10db/Div