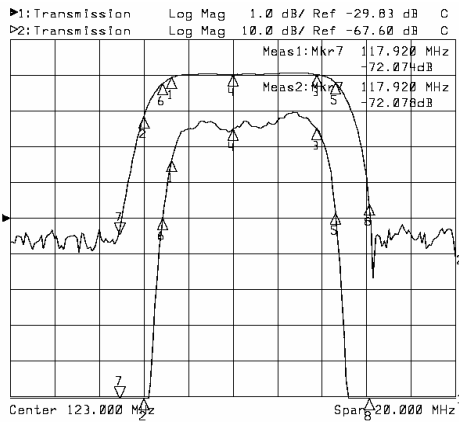
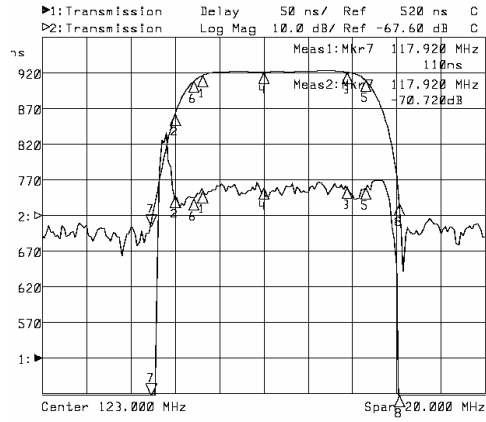


123MHz Standard filter
Part Number 123065

Typical Performance



Horizontal: 2MHz/Div
 Vertical: 10dB/Div

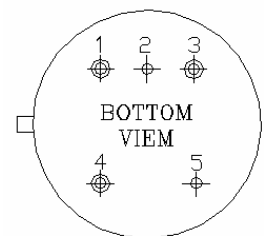
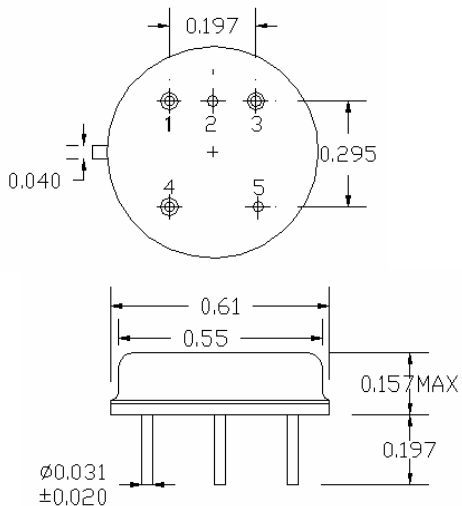


Horizontal: 2MHz/Div
 Vertical: 50nsec/Div

Specifications

Parameter	Unit	Minimum	Typical	Maximum
Center Frequency	MHz	122.80	123.00	123.20
Insertion Loss	dB		24.00	24.50
120.25MHz	dB		-1.01	-1.22
126.75MHz	dB		-1.22	-1.83
119.00MHz	dB		-12.04	-15.05
Passband Variation	dB		1.20	1.40
Group Delay Variation	nsec		30	50
Absolute Delay	usec		0.71	0.75
Ultimate Rejection	dB	38	40	
Substrate Material	-		LiTaO3	
Ambient Temperature	°C	-40	25	80

Package SFA02



SFA02
 IN: 4
 OUT: 3
 GND: 1,2,5